

Info

The roboStacker RS150 is a light and compact handling robot, designed to suit most applications and environments. The roboStacker RS150 is mounted on a gantry, which makes the solution unique and very flexible. The gantry provides a wide working range (modules of 6 m), which results in more pallet stations for palletizing/depalletizing - compared to robots with rotating base.

Features

Easy to program using simple language based on 'G-codes'.

Built of standard components (World Wide delivery).

Common control system (PLC-based).

PackML standard compatible.

All programming according to IEC Standard.

Standard Fieldbuses for external I/O, sensors, valves, motors:

- Profibus

Standard Ethernet communication with:

- Production control system
- Scada System

Possibilities

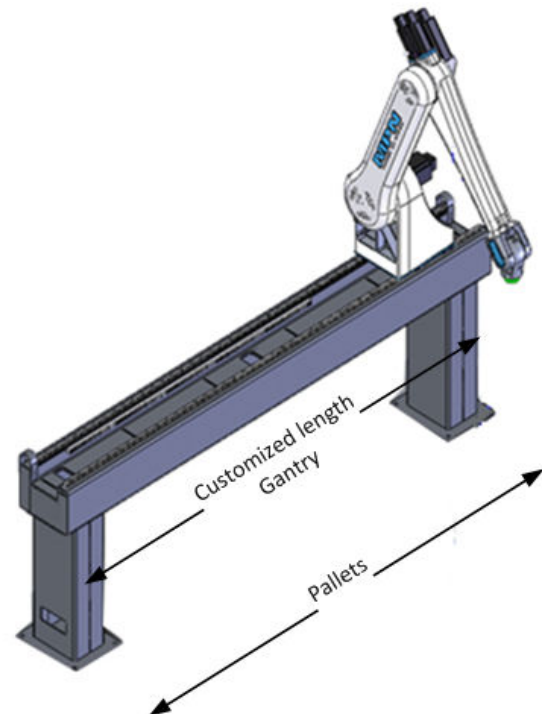
Graphic Interface for generating palletizing patterns

- standard add-on software

Internet connection

- Diagnostics: Remote service

Graphic HMI Interface (color touch screen)



Værkstedsvvej 16
DK-5500 Middelfart
+45 66 14 99 11
www.robostacker.com
info@robostacker.com